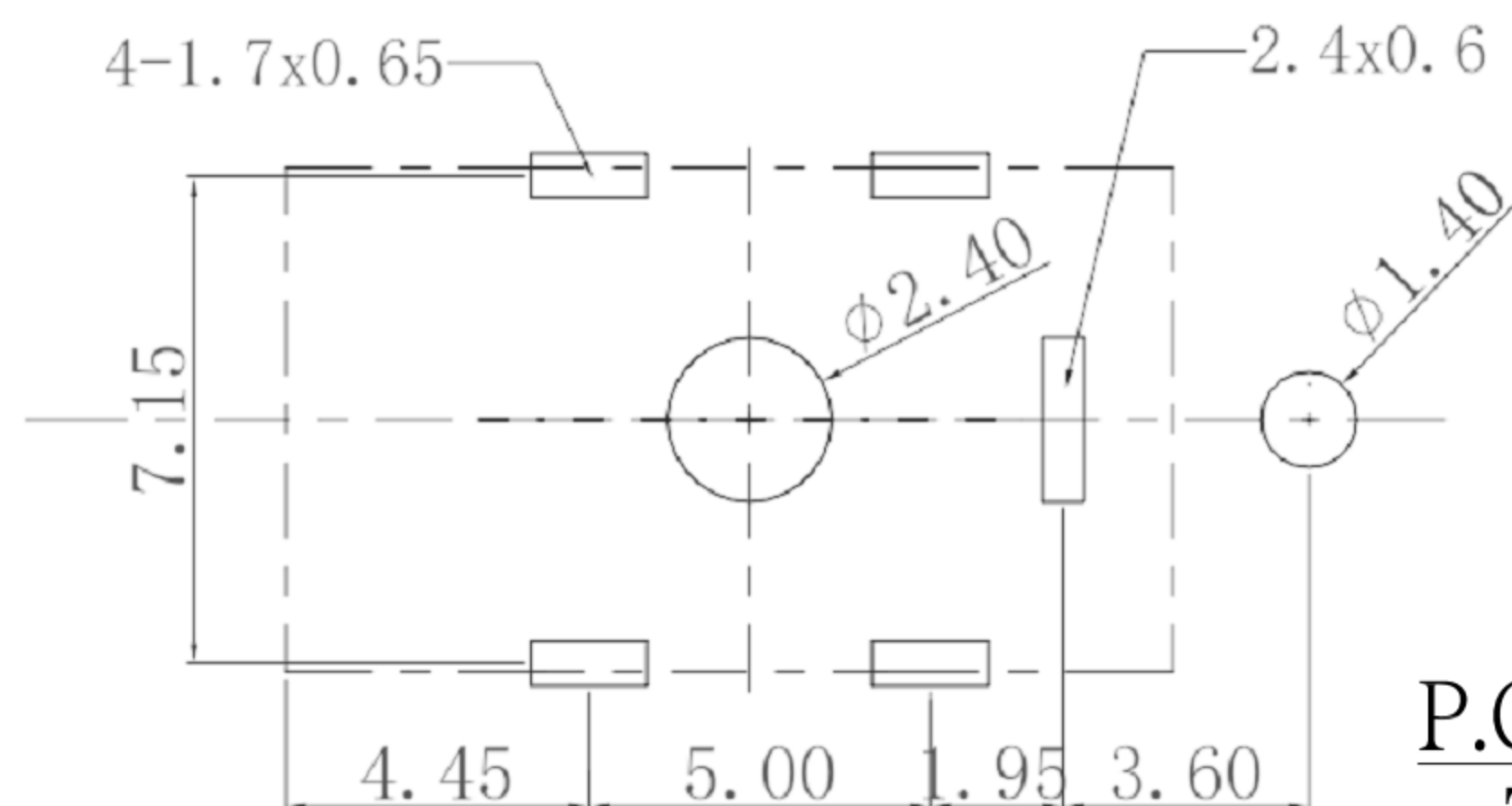
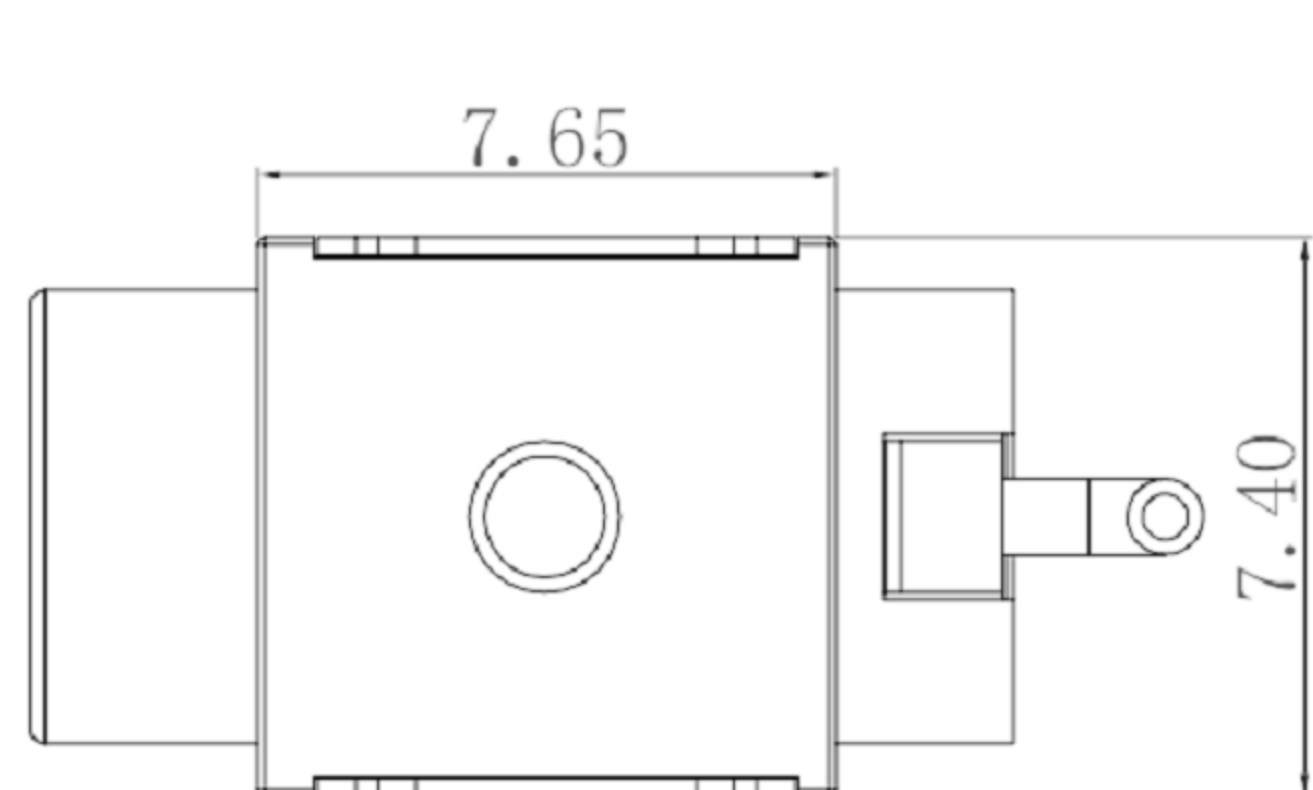


适配公头

SPECIFICATION

- 1. Rating : DC 1A 3A 12V 30V
- 2. Contact resistance :  $\leq 30m\Omega$  ;
- 3. Insulation resistance :  $\geq 100M\Omega$  ;
- 4. Withstand voltage : 500VAC ;
- 5. Insertion force : 3-30N;  
extraction force : 3-30N;
- 6. life test : 5,000 cycles °



P.C.B LAYOUT  
TOP VIEW



东莞市高迪电子有限公司  
Dong Guan KDRR Electronic Switch Jack Co., Ltd.

TOLERANCE UNLESS OTHERWISE STATED :  
Up to 5 ±0.2  
Above 5 ~ 15 ±0.3  
Above 15 ~ 30 ±0.4  
Above 30 ~ 50 ±0.5  
Angle ±0.3

3RD. ANGEL'S

UNITS MM

DRAWN BY:	DATE	MAT'L	TITLE	JACK
Ming Ming Zou	6/8/23			
CHECKED BY:	DATE	FINISH	MODLE	DC JACK
Ning Ning Su	6/8/23			
APPROVED BY:	DATE	SCALE	DWG NO.	GD-DCT-3513X
Jia Xiang	6/8/23	1:1		
SHEET NO.	1 of 1	PART NO.		
				SIZE A4
				VER R4

ITEM NO.	DESCRIPTION	DRAWN	DATE
4	更新材質	Jack	050420
3	更新尺寸	Jack	121119
2	更新尺寸標示位置	Jack	082719
1	更新尺寸	Jack	080519